



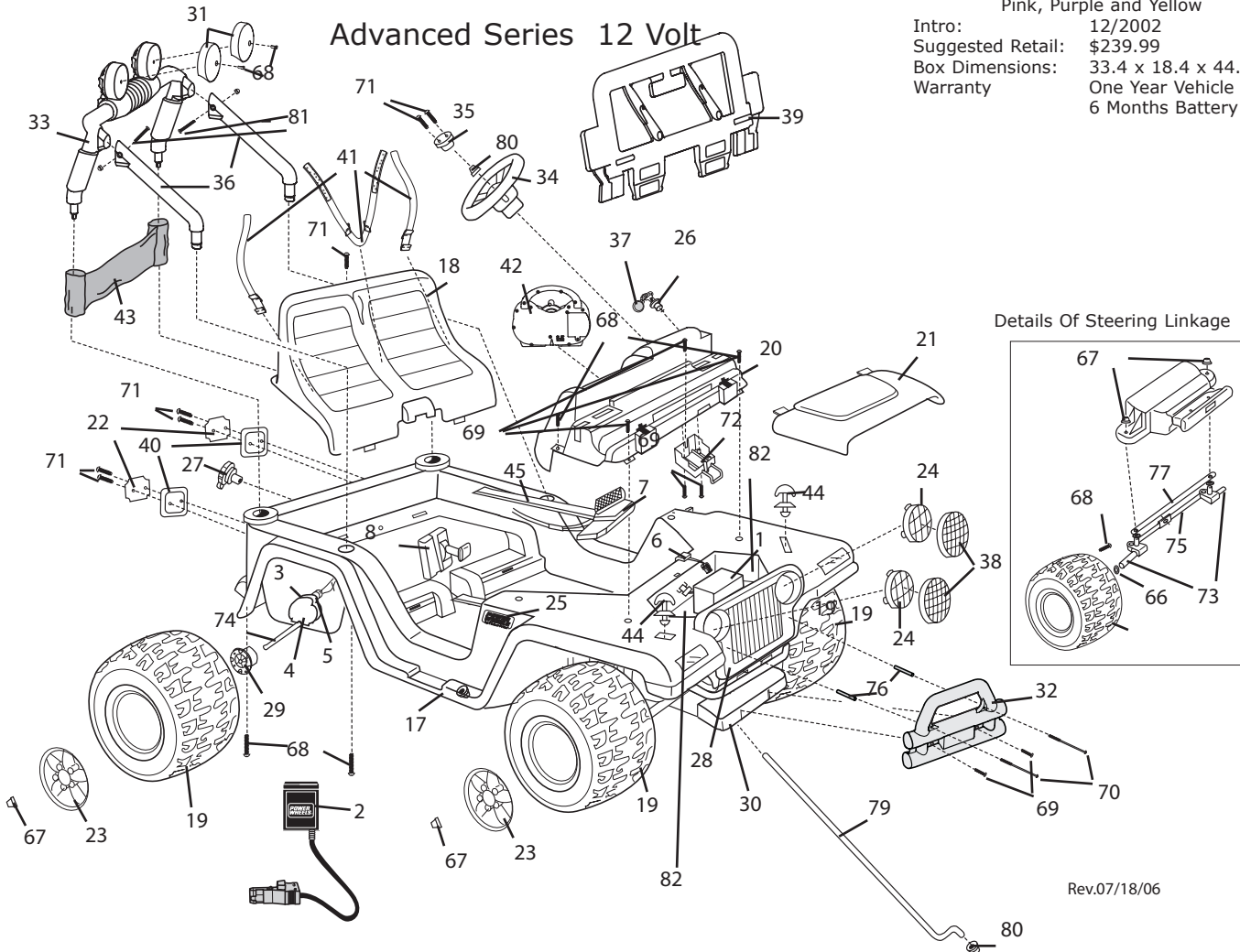
# 77770-9993 Cruisin Tunes

Age Range: 3-7 Years  
Weight Limit: 165 Lbs  
Surfaces: Hard and Grass  
Speed: 2.5 and 5.0 MPH forward

Colors: Pink, Purple and Yellow

Intro: 12/2002  
Suggested Retail: \$239.99  
Box Dimensions: 33.4 x 18.4 x 44.8  
Warranty: One Year Vehicle  
6 Months Battery

## Advanced Series 12 Volt



Rev.07/18/06

Item No.	Description	Part No.	Qty.	Item No.	Description	Part No.	Qty.	Item No.	Description	Part No.	Qty.
<b>Working / Electrical Parts</b>											
1	Battery	00801-0638	1	32	Brushguard	77770-2189	1	76	Spacer Brushguard/Bumper	74460-2069	2
2	Charger	00801-0972	1	33	Rollbar	77770-2219	1	77	Crossbar	74460-4419	1
<b>3</b>	<b>Motor Gearbox Assembly</b>	<b>00968-29112</b>	<b>2</b>	34	Steering Wheel	77770-2319	1	78	7/16p Round Brushing Black	74550-2689	2
<b>4</b>	<b>Gearbox W/out Motor</b>	<b>00968-2804</b>	<b>2</b>	35	Steering Wheel Button	77770-2339	1	79	Steering Column	78490-4239	1
<b>5</b>	<b>Motor Pinion Assy. N/A</b>	<b>00968-2702</b>	<b>2</b>	36	Rollbar support	77770-2379	2	80	.354 Capnut White	0801-0548	2
<b>6</b>	<b>Main Harness Assembly</b>	<b>78490-9699</b>	<b>1</b>	37	Key Chain	77770-2449	1	81	#8-32 X 1.625 screw	00801-0200	2
7	Footboard Assm.	74340-9829	1	38	Headlight Guard	77770-2469	2	82.	Screw Pan 1/4-14 X 1.5 (Front module screws)	0801-0578	2
8	Shifter Assm.	77770-9239	1	39	Windshield	77770-2619	1				
<b>Plastic / Other Parts</b>											
17	Body	N/A	1	40	Tailight Housing Set	77770-2859	1				
18	Seat	77770-2309	1	41	Seatbelt 3 Pieces	77770-5339	1				
19	Wheel	77770-2459	4	42	CD player	77770-9419	1				
20	Dash	3800-7119	1	43	Canopy	77770-9529	1				
21	Hood (pink)	4000-0250	1	44	Hoodlatch Assm.	77770-9559	1				
22	Lens Set	73233-2279	1	45	Channel Cover	78477-2289	1				
23	Hub Cap	74440-2579	4	<b>Hardware / Metal Parts</b>							
24	Headlight lens	74450-2279	2	66	7/16 Washer	0801-0196	2				
25	PW Emblem	74460-9069	2	67	.437 Cap Nut White	0801-0227	6				
26	Key Housing Assm.	74765-9369	1	68	Screw #10 x .5	0801-0255	8				
27	Gas Cap	75597-2089	1	69	Screw #10 x 1 N/A (Order Hardware Bag)	00801-1256	7				
28	Grill w/holes	75598-2849	1	70	Screw #8 8 x 4 Truss	0801-0301	2				
29	Driver	76960-2249	2	71	Screw #8 x 1 Screw	0912-8003	7				
30	Module	77770-2019	1	72	Battery Retainer Box Assm.	74020-9819	1				
31	KC Light Cover	77770-2169	2	73	Front Axle	74440-4509	2				
				74	Rear Axle	74440-4519	1				
				75	Axle/Linkage Assm.	74440-9419	1				
<b>Parts Not Shown</b>											
Large Parts Bag N/A										77770-9269	1
(Order Part # 77770-9349 which includes Large Parts Bag and Parts Bag # 2)											
Parts Bag #2 N/A										77770-9259	1
(Order Part # 77770-9349 which includes Large Parts Bag and Parts Bag # 2)											
Hardware Bag										77770-9279	
Owners Manual										77770-0920	1
Decal Sheet										77770-0310	1
<b>Footswitch</b>										<b>00801-0933</b>	<b>1</b>

N/A = Not Available

**Bold and Underlined parts are to be purchased and installed by Service Centers only. These items may not be sold directly to consumers by Service Centers or Fisher-Price.**